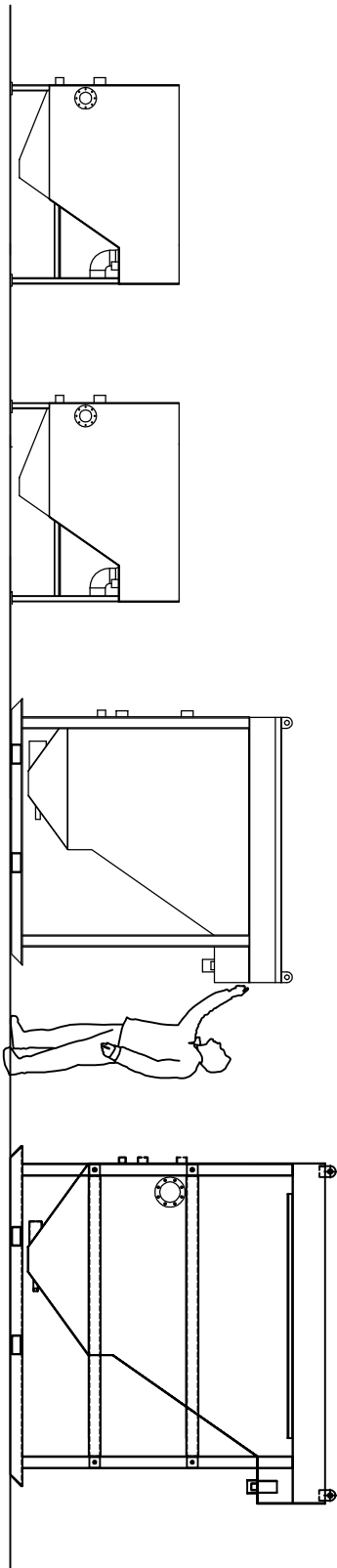


Siltbuster®

DAF RANGE:

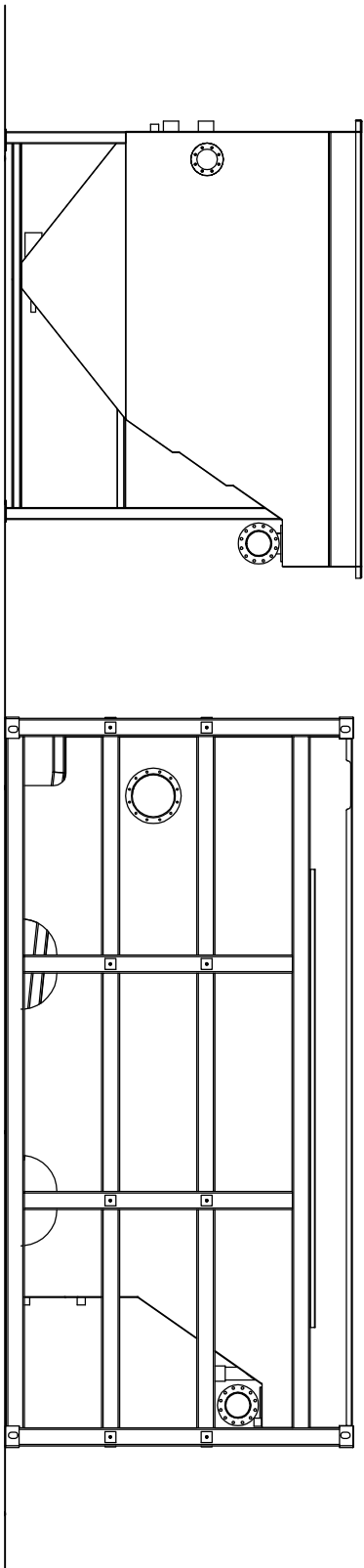


D2

D5

D10

D25



D50

D100

Siltbuster is a registered trademark of Siltbuster Ltd.
 Dimensions are indicative and due to ongoing product development are subject to change without notice.
 This drawing and design are the copyright of Siltbuster Ltd and shall not be reproduced or used without written permission.

Project: SILTBUSTER
 DAF
 RANGE

Title: TYPICAL
 DETAILS

Siltbuster®
 SILTBUSTER LTD.
 WINDYBUSH ROAD
 MONMOUTH WEST
 MONMOUTHSHIRE NP23 5AN
 Tel. No. 01890 772296
 Fax. No. 01890 775312